

Surface - Sheathed Thermocouple with connection cable

Type "T-M 100 Ma 30 HKa (S)"

Version with surface-receivers and connected sheathed and compensation cable



Structure:

Thermocouples 1 x Type "J", "K" and "N", Basic values according to DIN EN 60584, Tolerance class 1 or 2; Type "L" according to DIN 43710, Tolerance class 2, installed in a thermal absorption box (optionally also as sheet) with a diameter of 10x5x40 mm of copper, extended with a mineral insulated sheathed cable of 3.0 mm of VA, connected cable transition sleeve of VA with connected compensation cable 2x0.22 qmm cross-section, insulated individually and together with silicone, cable lengths can be selected individually.

On request, the compensation cable can be provided with thermal plug or Lemosa plug (coupling); additional type specification (S).

(For variants please refer to the worksheet).

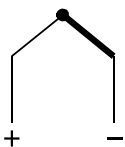
Design of the thermocouples:

Max. temperatures according to DIN for materials:

Silicone connection	180°C
Measurement tip with CU block or sheet metal	400°C
Teflon cable	240°C
Glass silk cable	400°C

Temperatures should be taken into account as per DIN or information in the technical data sheets. Please ask our technical customer service for special versions.

Type of wiring:



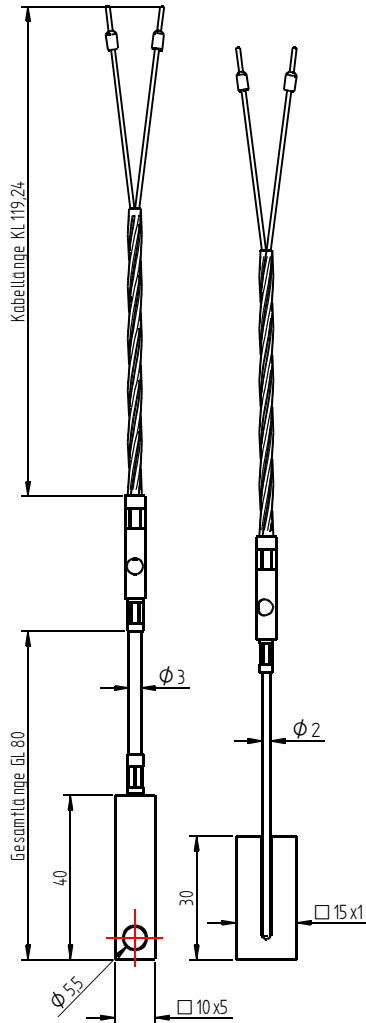
Single element

Areas of application:

Surfaces in laboratories,
Pilot plants,
for applications under atmospheric pressure
for experimental measurements

**Surface - Sheathed Thermocouple
with connection cable**
Type "T-M 100 Ma 30 HKa (S)"

Version with surface-receivers and
connected sheathed and compensation cable



Measurement value reception:

Cu-Block W/H/T 10*5*40mm ☉ | Cu-sheet 15*1*30mm ☉ |
Others _____

Sheathed cable:

Diameter DMA= 3.0mm ☉ | others _____
Nominal length NL = 500mm ☉ | others _____

Thermoelectric lead:

Insulation Silicone ☉ | Shielded Yes ☉ |
Teflon ☉ | No ☉ |
Glass silk ☉ |

Cable end sleeves ☉ |

Others _____

Cable length:

KL=170mm ☉ | KL=500mm ☉ | KL=1000mm ☉ |
others _____

Plug connection with Lemos a plug:

Lemo Gr. 0 Plug ☉ | Coupling ☉ |
Lemo Gr. 1 Plug ☉ | Coupling ☉ |

Plug connection with thermal plug

Mini plug ☉ | Coupling ☉ |
Standard plug ☉ | Coupling ☉ |
Others _____

Temperature load: Measurement point: from | | to | | °C Environment/Connection cable: | | °C

Sheathed - thermocouple:

NiCr-Ni "K" ☉ |
Fe-CuNi "J" ☉ |
NiCrSi-NiSi "N" ☉ |
Fe-CuNi "L" ☉ |
Others _____

Tolerance class:

Class "2" ☉ | Class "1" ☉ |
Others _____

Additional specification/ Remarks:

Company :| _____ | Your Ref. :| _____ |
Contact person :| _____ | Quantity :| _____ |
Street/Place :| _____ | Del. time :| _____ |
Email address :| _____ | Telephone :| _____ |