

Surface - Sheathed Resistance Thermometer with connection cable
Type "W-M 100 Ma 30 HKa (S)"

Version with surface-receivers and connected sheathed connection plus cable



Structure:

Precision resistor single or dual, Type Pt-100 as per IEC 60751 in Tolerance class B or A. Connected in 2-, 3- or 4-wire circuit from precision resistor, fitted in a thermal absorption box (optionally also as sheet metal) with a diameter of 10x5x40 mm of copper, extended with a mineral insulated sheathed connection cable of 3.0 mm of VA, connected cable transition sleeve of VA with extension cable having cross-section of 2x0.22 qmm, insulated individually and together with silicone, cable lengths can be selected individually.

On request, the compensation cable can be provided with Lemos plug (coupling) at the end; Additional type specification (S).

(For variants please refer to the worksheet).

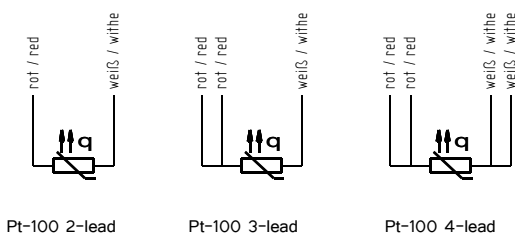
Design of resistance thermometer:

max. temperatures according to DIN for materials of the extension cable:

- Silicone connection 180°C
- Measurement tip with CU block or sheet metal 400°C
- Teflon cable 240°C
- Glass silk cable 400°C

Temperatures should be taken into account as per DIN or information in the technical data sheets. Please ask our technical customer service for special versions.

Type of wiring:

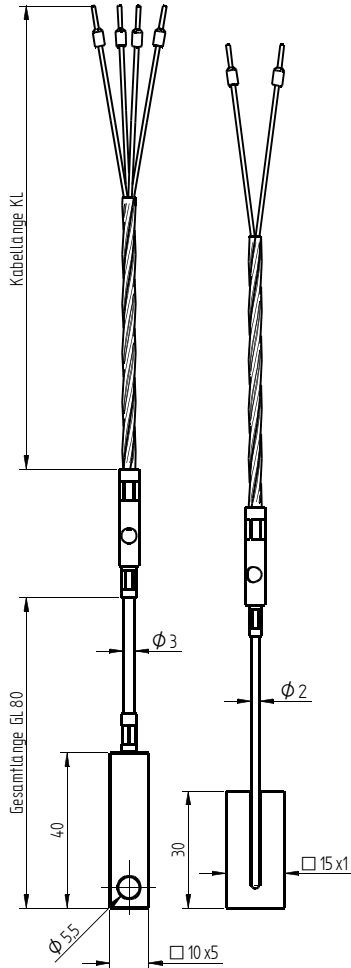


Areas of application:

Surfaces in laboratories,
 Pilot plants,
 for applications under atmospheric pressure
 for experimental measurements

**Surface - Sheathed Resistance
Thermometer with connection cable
Type "W-M 100 Ma 30 HKa (S)"**

Version with surface-receivers and
connected sheathed connection plus cable



Measurement value reception:

Cu-Block W/H/T 10*5*40mm |☉| Cu-sheet 15*1*30mm |☉|
Others _____

Sheathed cable:

Diameter DMA= 3.0mm |☉| others _____
Nominal length NL= 500mm |☉| others _____

Extension cable:

Insulation Silicone |☉| Shielding Yes |☉|
Teflon |☉| No |☉|
Glass silk |☉|

Cable end sleeves _____ |☉|
Others _____

Cable length:

KL=170mm |☉| KL=500mm |☉| KL=1000mm |☉|
others _____

Plug connection with Lemosa plug:

Size: 0 |☉| 1 |☉| Number of pins: 2 |☉| 4 |☉|
Contacts gold-plated |☉| made of element material |☉|

Lemosa plug |☉| Lemosa coupling |☉|

Others _____

Protection rating IP68 |☉| (otherwise IP 54) |☉|

Temperature load: Measurement point: from | _____ | to | _____ | °C Environment/Cable: | _____ | °C

Sensor element:

Pt-100 single |☉| dual |☉|
Pt-1000 single |☉| dual |☉|
Ni-100 single |☉| dual |☉|
Ni-1000 single |☉| dual |☉|
Others _____

Tolerance class

Class "A" |☉| Class "B" |☉| Others _____

Additional specification/ Remarks:

Company :| _____ | Your Ref. :| _____ |
Contact person :| _____ | Quantity :| _____ |
Street/Place :| _____ | Del. time :| _____ |
Email address :| _____ | Telephone :| _____ |