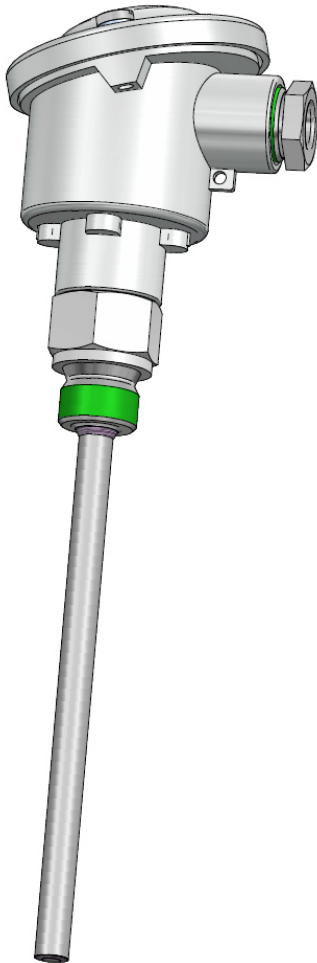


## Screw-in resistance thermometer without extension pipe

Similar to Form 2G according to DIN 43735 / 43772

Fitting with replaceable resistance thermometer inset



### Structure of the fitting:

Protective tube diameter 6 – 14 mm and screw neck G $\frac{1}{2}$ " connection head made of light metal Form B according to DIN EN 50446 with cable entry M20x1.5.

(For variants please refer to the worksheet).

### Structure of the inset in accordance with DIN 43735:

Precision resistor single or dual, Type Pt-100. Basic values as per IEC 60751 in Tolerance class B or A. Connected in 2-, 3- or 4-wire circuit from precision resistor, installed in a rigid inset pipe of stainless steel material or as sheath resistance thermometer inset in flexible version with a diameter of 6 mm.

Shelf plate with connection socket.

(For variants please refer to the worksheet).

### Design of resistance thermometer:

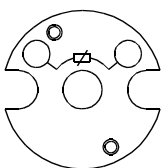
Temperatures up to 150°C standard.

The precision resistor is insulated in a ceramic powder, vibrated and sealed airtight.

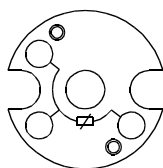
Even shockproof and high vibration resistant versions are available; additional type specification "E".

For pressure resistant and stable flow versions, also refer to the section Special versions or ask our technical customer service.

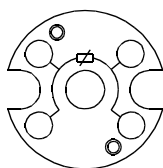
### Types of wiring:



Pt-100 2-lead



Pt-100 3-lead



Pt-100 4-lead

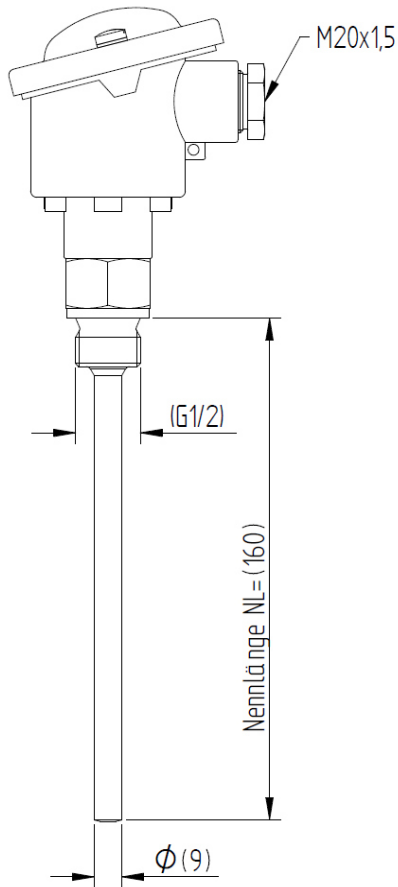
### Areas of application:

Plant, pipeline and tank construction  
Heating and air conditioning technology  
Power plant technology  
Furnace construction  
Chemicals  
for gas, steam, fluids and granulates

**Screw-in resistance thermometer  
without extension pipe**

Similar to Form 2G according to DIN 43735 / 43772

Fitting with replaceable  
resistance thermometer inset



**Protective tube diameter D:**

6 x 1.0mm | |  
 9 x 1.0mm | |  
 11 x 1.0mm | |  
 11 x 2.0mm | |  
 14 x 2.5mm | |  
 others \_\_\_\_\_ | |

**Protective tube material:**

1.4541 (V2A) | |  
 1.4571 (V4A) | |  
 others \_\_\_\_\_ | |

**Screw threads:**

G 1/2" | |  
 Others \_\_\_\_\_ | |

**Neck material:**

1.4541 (V2A) | |  
 1.4571 (V4A) | |  
 Others \_\_\_\_\_ | |

**Protective tube length NL:**

100mm | |  
 160mm | |  
 200mm | |  
 Others \_\_\_\_\_ | |

**Connection head:**

Form A Light metal | |  
 Form B Light metal | |  
 Others \_\_\_\_\_

Temperature load: Measurement point: from | | to | | °C Environment/Connector head: | | °C

Calculation of the inset length = Nominal length + 45 mm

**Sheath resistance thermometer gauge slide:**

Pt-100 single | | dual | |  
 Pt-1000 single | | dual | |  
 Others \_\_\_\_\_

2- | | 3- | | 4- | | wire circuit

**Tolerance class**

Class B | |  
 Class A | |  
 Others \_\_\_\_\_

**Additional specification/ Remarks:**

Company :| \_\_\_\_\_| Your Ref. :| \_\_\_\_\_|  
 Contact person :| \_\_\_\_\_| Quantity :| \_\_\_\_\_|  
 Street/Place :| \_\_\_\_\_| Del. time :| \_\_\_\_\_|  
 Email address :| \_\_\_\_\_| Telephone :| \_\_\_\_\_|