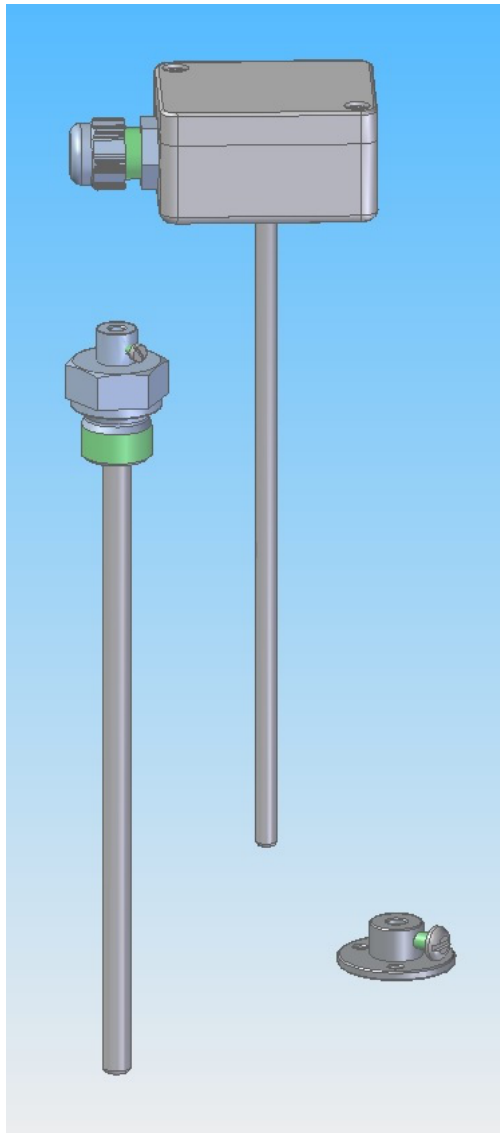


Channel resistance thermometer "W-KK 50(60) Ku"

Design with metal protection tube
and compact plastic casing



Structure:

Precision resistor single or dual, Type Pt-100 as per IEC 60751 in Tolerance class B or A, connected in 2-, 3- or 4-wire circuit from precision resistor, fit in a metal protective sleeve made of stainless steel material of diameter 5 or 6 mm and lengths between 80 and 250 mm; For better thermal coupling the precision resistors are covered with heat conducting paste. Connection box with dimensions 65*50*35 mm made of plastic with protection rating IP 65, plastic cable entry M16x1.5. It is possible to install the casing directly on a wall using two screws.

A temperature transmitter with rated output signal of 4-20 mA can also be installed in the above mentioned sensor.

(For variants please refer to the worksheet).

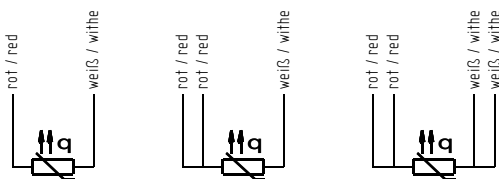
Immersion sleeve:

Protective tube 6x0.4 mm (8x0.5 mm) diameter made of VA, Screw-in connector G 1/2" made of VA with clamp connection for the sensor.

Design of cable resistance thermometer:

max. temperatures from -40°C to +80°C.

Types of wiring:



Pt-100 2-lead

Pt-100 3-lead

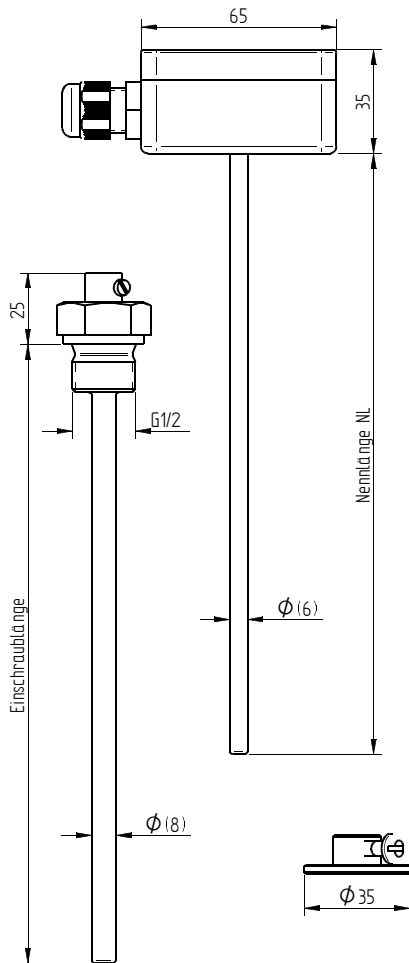
Pt-100 4-lead

Areas of application:

Channel sensor in HVAC plants
Fluid sensor for simple requirements

Channel resistance thermometer "W-KK 50(60) Ku"

Design with metal protection tube
and compact plastic casing



Protective tube diameter D:

5.0mm
6.0mm
Others _____

Protective tube material:

1.4301 (V2A)
others _____

Nominal length:

80mm
150mm
250mm
Others _____

Cable feed:

IP-54
IP-65
Plastic
Brass, nickel plated
Other _____

Casing:

65X50x35 mm made of plastic
Others _____

without KMP company imprint

with KMP company imprint

others _____

Measurement value processing:

without measuring transducer; Pt-100 Signal
with temperature transmitter; 4-20mA signal

Measurement range:

-50 to +50 °C
0 to +50 °C
Others _____

Temperature load: Measurement point: from | | to | | °C Environment/Connection cable: | | °C

Calculation of immersion sleeve - screw-in length = NL (sensor) – 25mm

Sensor element:

Pt-100 single dual
Pt-1000 single dual
Ni-100 single dual
Ni-1000 single dual
Others _____

Additional specification/ Remarks:

Tolerance class

Class "A" Class "B" Others _____

Company : _____ Your Ref. : _____
Contact person : _____ Quantity : _____
Street/Place : _____ Del. time : _____
Email address : _____ Telephone : _____