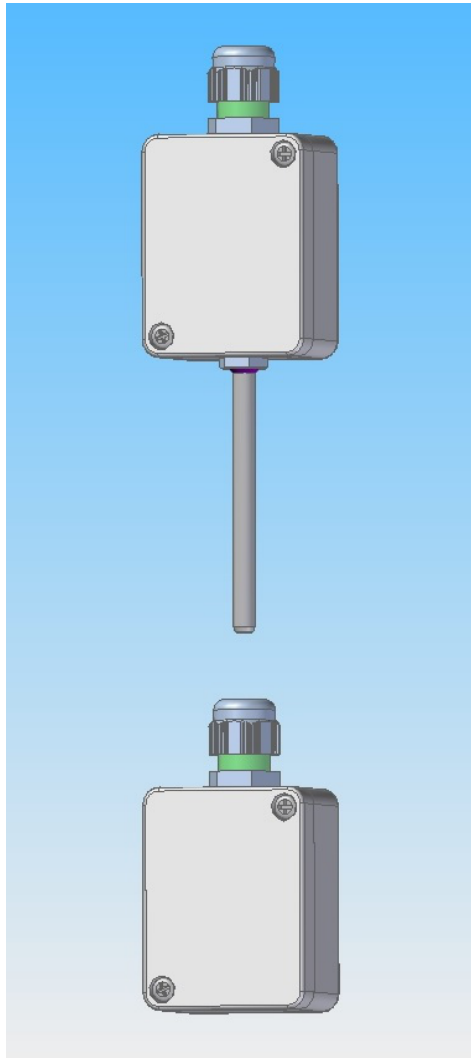


Air conditioning resistance thermometer

“W-Kf(Kt) 50(60) Ku”

Design with metal protection tube and compact plastic casing



Structure Type “W-Kf”:

Precision resistor single or dual, Type Pt-100 as per IEC 60751 in Tolerance class B or A, connected in 2-, 3- or 4-wire circuit from precision resistor, fit in a metal protection sleeve made of stainless steel material of diameter 5 or 6 mm and lengths between 80 and 250 mm;

For better thermal coupling, the precision resistors are covered with heat conducting paste.

Connection box with dimensions 65*50*35 mm made of plastic with protection class IP 65, plastic cable entry M16x1.5.

Structure Type “W-Kt”:

Structure like type “W-Kf...” but without metal protective tube, the Pt-100 is installed directly in the plastic casing and contacted through connection terminals in the casing.

It is possible to install the casing directly on a wall using two screws.

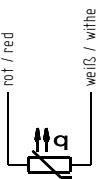
A temperature transmitter with rated output signal of 4-20mA can also be installed in the above mentioned sensor.

(For variants please refer to the worksheet).

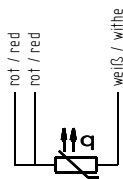
Design of cable resistance thermometer:

max. temperatures from -40°C to +80°C.

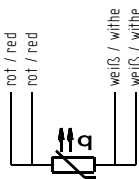
Types of wiring:



Pt-100 2-lead



Pt-100 3-lead



Pt-100 4-lead

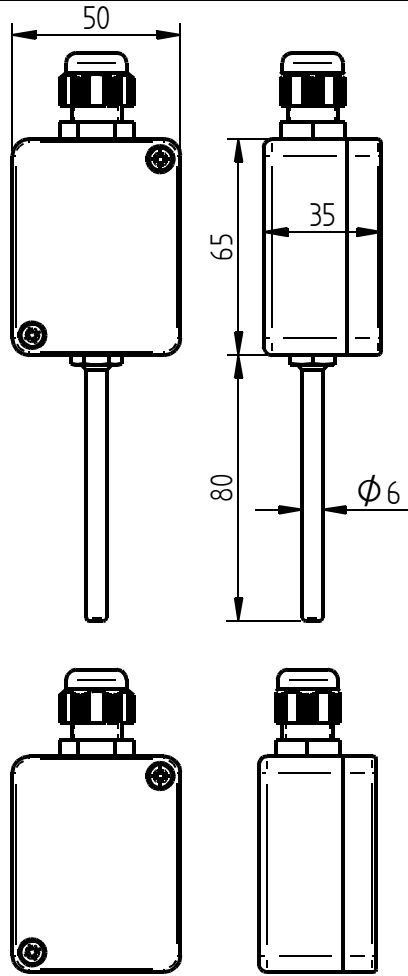
Areas of application:

Warning sensor in external area
Room sensor in industrial plants
Air conditioning and cooling plants
Railways, trucks or containers

Air conditioning resistance thermometer

“W-Kf(Kt) 50(60) Ku”

Design with metal protection tube and compact plastic casing



Protective tube diameter D: Protective tube

material:

5.0mm | 1.4301 (V2A)
 6.0mm | others _____
 Without protective tube (“W-Kt”)
 Others _____

Nominal length:

80mm
 150mm
 250mm
 Others _____

Cable entry:

IP-54
 IP-65
 Plastic
 Brass, nickel plated,
 Others _____

Casing:

65x50x35mm made of plastic
 Others _____

without KMP company imprint
 with KMP company imprint
 Others _____

Measurement value processing:

without temperature transmitter; Pt-100 Signal
 with temperature transmitter; 4-20mA signal

Measurement range:

-50 to +50 °C

+50 °C
 others _____

€

Temperature load: Measurement point: from | | to | | °C Environment/Connector head: | | °C

Sensor element:

Pt-100 single dual
 Pt-1000 single dual
 Ni-100 single dual
 Ni-1000 single dual
 others _____

Additional specification/ Remarks:

Tolerance class

Class “A” Class “B” Others _____

Company :| _____| Your Ref. :| _____|
 Contact person :| _____| Quantity :| _____|
 Street/Place :| _____| Del. time :| _____|
 Email address :| _____| Telephone :| _____|